

**2** skill level

free



yo-yo wine bottle holder

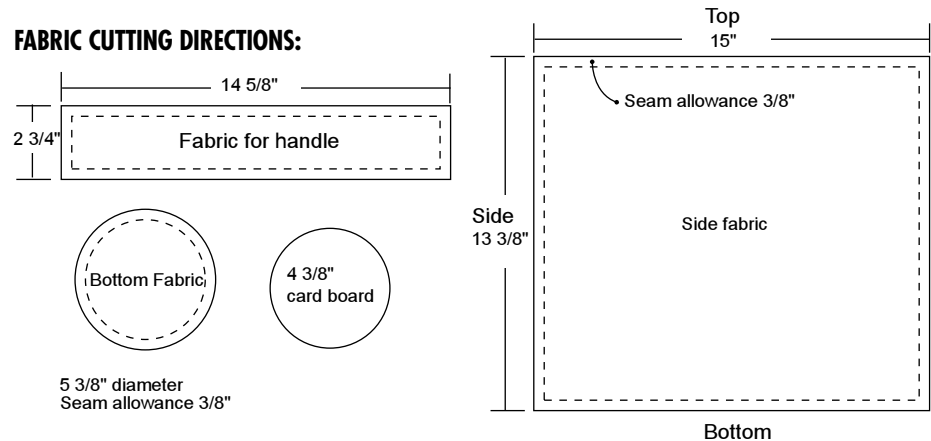
just ask Jo-Ann **how to**

more projects available at Joann.com

**SUPPLIES & TOOLS:**

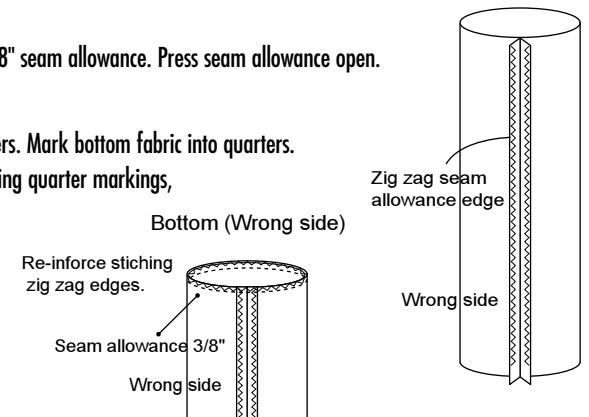
- Clover "Quick" Yo-Yo Maker, large
- Fabrics:
  - 15"x18" piece for sack sides & handle
  - 6"x6" piece for sack bottom
  - Assorted cotton fabrics for 63 Yo-yos (5"x 5" each)
- Matching thread
- Basic sewing supplies
- Scissors
- 4 3/8" Cardboard circle for inside bottom of sack

**FABRIC CUTTING DIRECTIONS:**

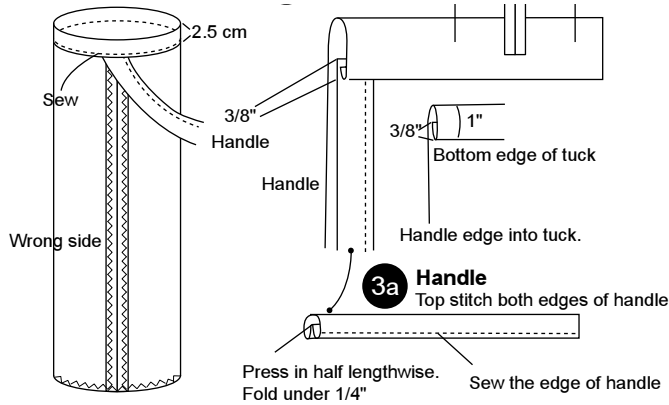


**SEWING DIRECTIONS:**

1. Sew sides of sack together using 3/8" seam allowance. Press seam allowance open.
2. Mark bottom edge of tube in quarters. Mark bottom fabric into quarters. With right sides together and matching quarter markings, sew using 3/8" seam allowance. Turn right side out.



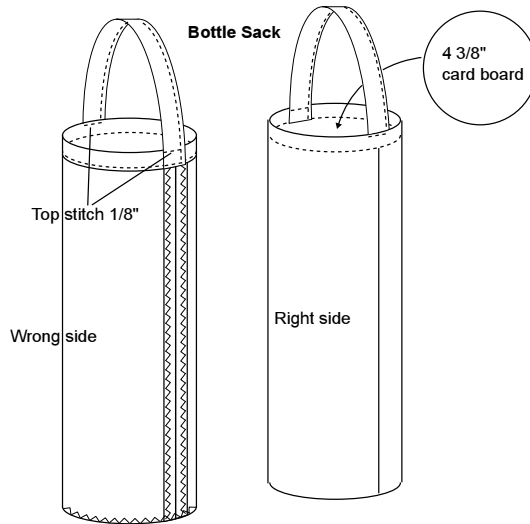
- Turn in top edge of sack  $\frac{3}{8}$ " under - Press. Turn again 1" and press.



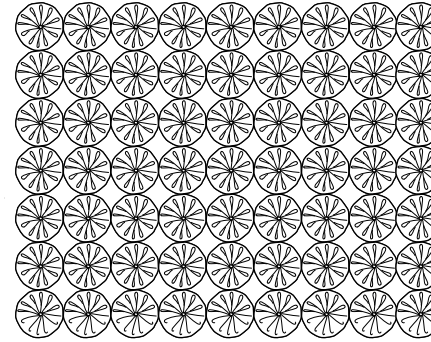
- Press handle in half lengthwise. Fold under  $\frac{1}{4}$ " each side. Top stitch both edges of handle together. Tuck edges in. Stitch  $\frac{1}{8}$ " bottom edge of tuck.

- Fold handles up; Top stitch edge  $\frac{1}{8}$ ".

- Insert cardboard on bottom.

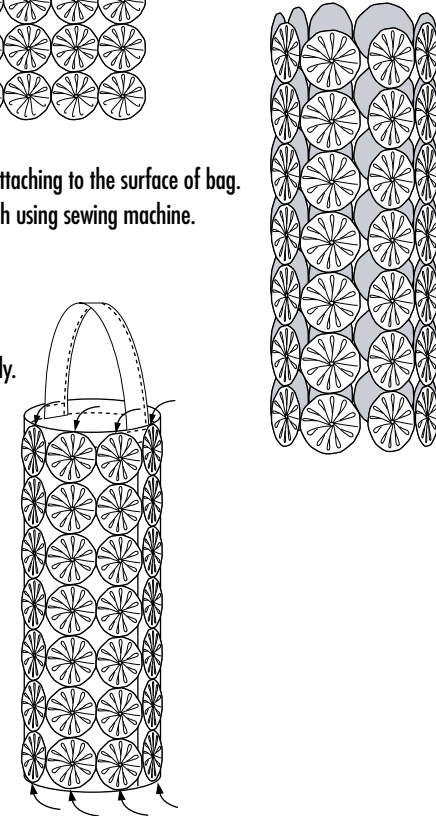


- Use Yo-Yo Maker to create 63 assorted yo-yos.



- Stitch all yo-yos together before attaching to the surface of bag. This can be done with zig-zag stitch using sewing machine.

- Stitch both ends of yo-yo patches. Insert sack into yo-yo patches. Stitch the top and bottom ends only.



Skill Level 2: Some sewing experience needed

Due to seasonal nature of project, supplies are available for a limited time only. Please read all instructions prior to beginning; read and follow all manufacturers' instructions for all tools and materials used. Provide adult supervision if children participate in this and all craft projects. Because Jo-Ann Stores, Inc. has no control over the use of materials and tools, nor surroundings, during construction of projects, Jo-Ann Stores, Inc. disclaims any liability for injury, damage or other untoward results. Content of this project sheet is presented in good faith, but no warranty is given, nor results guaranteed. ©2008 Jo-Ann Stores, Inc. All rights reserved.