

# sew with Jo-Ann



## SUPPLIES & TOOLS:

- 1 Fabric Central® Kalini Green Pods Laminated Cotton
- Fabric Central® Kalini By-the-Yard fabrics:
  - 1/2 yd Blue Jacobean Flower
  - 1/4 yd Purple Bubbles
  - 1/4 yd Stripe Multi
- 1/2 yd Insul-Bright® insulated lining
- Rotary cutter, mat, acrylic ruler
- Basic sewing supplies
- Sewing machine
- Teflon® presser foot, tissue paper, optional for sewing laminate
- Iron & ironing surface
- Paper clips or double-sided fabric tape, optional

## DIRECTIONS:

Read all instructions before beginning project. Sew all pieces together with a 1/4" seam allowance with right sides together unless directed otherwise. Press seams with a dry iron on the cotton setting in the direction of arrows.

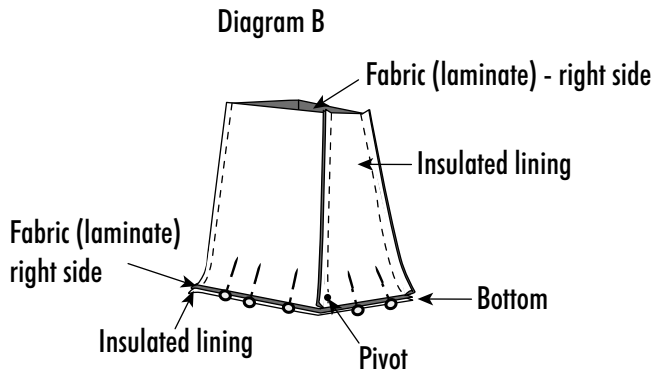
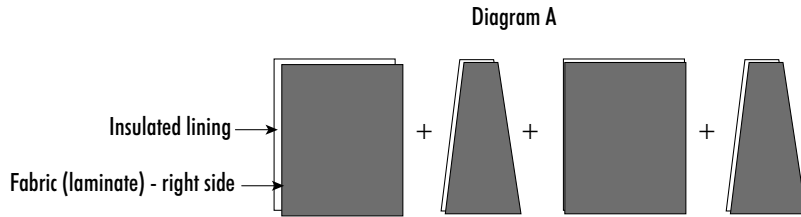
Tips for sewing with laminate: Iron on the wrong side only, using a dry iron on a low/cool setting. Do not touch the laminated coating with the iron. Laminate may feed more smoothly if a Teflon® presser foot is used. Another option is to place strips of tissue paper between the foot and the fabric to minimize pulling. Remove tissue paper after sewing. Sew on wrong side whenever possible. Straight pins may leave permanent holes, so place pins so the stitching will camouflage the holes or use paper clips or double-sided fabric tape to hold pieces together before sewing. Test sew on a scrap to get familiar with sewing on laminate.

Cut the following fabrics as listed:

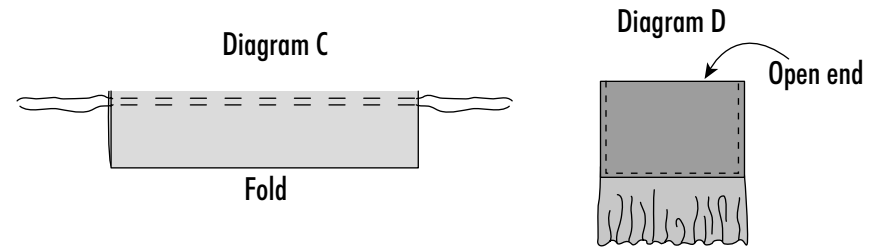
- Green Pods Laminate
  - Cut two 8"x10" for bag front & back
  - Cut one 5"x8" for bag bottom
  - Cut two from bag side pattern
- Blue Jacobean Flower
  - Cut two 8"x10" for bag lining
  - Cut two 5"x8" for lining bottom & flap
  - Cut one 5"x14" for handle
  - Cut two from bag side pattern
- Purple Bubbles
  - Cut one 5"x16" for ruffle

- Stripe Multi
  - Cut one 5"x8" for flap
- Insul-Bright™
  - Cut two 8"x10"
  - Cut two 5"x8" for flap
  - Cut two from bag side pattern

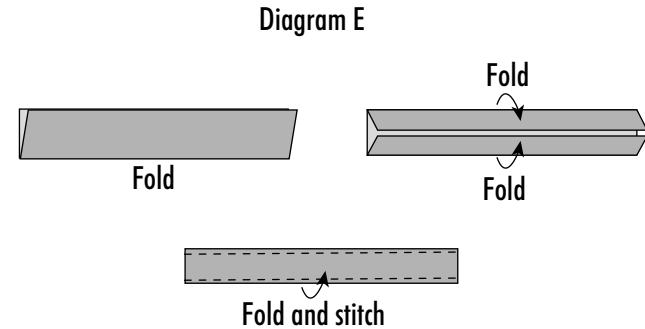
1. Construct the bag body as follows: If using laminate for the outside of the bag, begin by laying the laminate pieces on top of the Insul-Bright® pieces of the same size. Sew laminate/Insul-Bright® sections together in the order shown, sewing the first and last sections together to make the bag (Diagram A). Carefully pin or clip the bag to the bottom, aligning corners and sides. Stitch, pivoting at each corner (Diagram B).



2. Repeat Step 1 to make the lining. Remember to leave about a 5" opening in one of the side seams to turn later.
3. Make flap by first making the ruffle. Fold the 5"x16" Purple Bubbles fabric in half lengthwise, right sides together. Stitch each short end, turn right side out and press. Using the longest stitch length, place two rows of gathering stitches along the raw edges, 1/8" apart (Diagram C). Gather ruffle to 7 1/2" in length. Layer Insul-Bright®, Stripe flap right side up, ruffle, and Blue Jacobean Flower flap right side down and stitch around the sides and one side of the flap. Clip corners and turn right side out. Press well and topstitch 1/8" from edge on all three sides (Diagram D).



4. Make handle by folding the 5"x14" Blue Jacobean Flower in half, wrong sides together. Open and fold each raw edge to the center fold and press. Fold in half and topstitch close to each folded edge (Diagram E).



5. Assemble bag as follows: Turn laminate bag right side out and place ends of handle on each side, matching raw edges. Stitch to hold in place (Diagram F). Align raw edges of flap with the top of one side of the laminate bag, making sure the Blue Jacobean Flower is next to the laminate and pin or clip. Place this bag inside the lining bag with right sides together. Match seams and raw edges along top and pin/clip (Diagram G). Stitch around the top edge. Turn bag right side out through opening left in the lining and sew opening closed by hand. Push lining down inside laminate bag. Finger press top edge and topstitch 1/8" from edge.

Finished size 11"x13"x5"

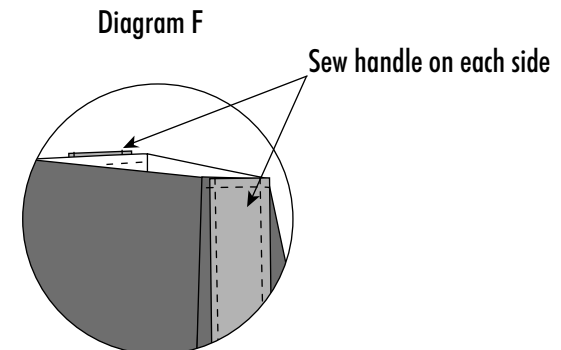
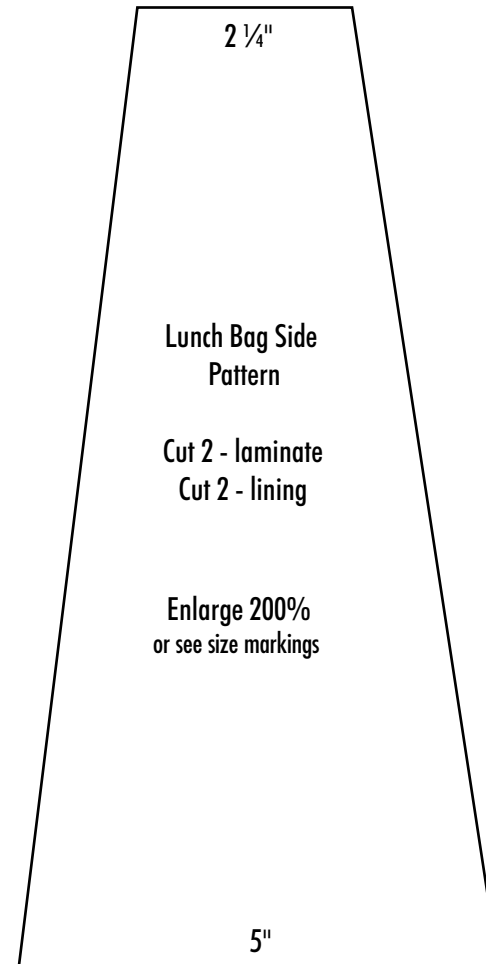
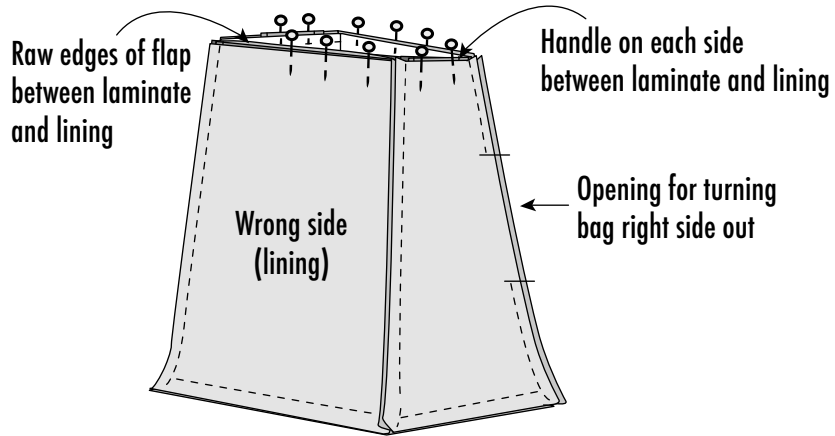


Diagram G



Template may be reproduced for personal use.

Created by Fabric Editions

Skill Level 2: Some experience necessary

Approximate Crafting Time: 3-4 hrs

Please read and follow all manufacturers' instructions for all tools and materials used.  
Provide adult supervision if children participate in this project.  
©2012 Jo-Ann Stores, Inc.

**JOANN**  
fabric and craft stores®  
143-251P20