



## Large Tote Bag

Courtesy of Fabric Traditions  
Designed by Theresa Romeo  
All Measurements are given length x width

### Supplies:

1-1/2" Fabric Traditions Lemongrass Series - Circles  
1-1/2" yds. fusible interfacing  
Basic sewing supplies

### Cut:

#### Fabric:

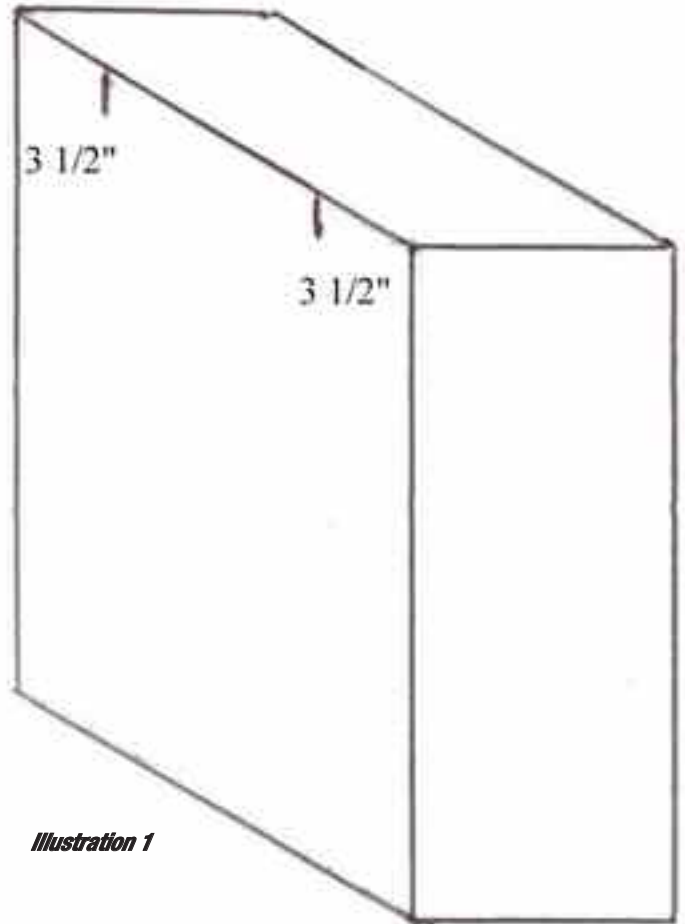
Two - 26" x 14" - bag and lining front and back  
Four - 12" x 4" - bag and lining sides  
Two - 24" x 3-3/4" - handles

#### Interfacing:

One - 26" x 14"  
Two - 12" x 4"  
Two - 24" x 3-3/4"

### Directions:

1. Iron the interfacing to the wrong sides of the outer bag pieces and handles.
2. With right sides together, pin side pieces to the side edges of the front, back and bottom of the bag, cut notch at corners as needed. Stitch in place. Illustration 1.
3. Fold the strap piece in half lengthwise right sides together and stitch on the long side, leaving the short sides open. Repeat with the other strap. Turn and press. Top stitch both long sides of the straps.
4. Measure 3-1/2" in from the top side edges on the front and back of the bag for the strap placement. Illustration 1.
5. Pin the strap to the right side of the bag, lining the raw edges of the bag and strap together. Stitch in place. Repeat on the back with the second strap.
6. Repeat step 2 with the lining pieces except leave a 5" opening on one side for turning.
7. Place the lining inside the bag with right sides together, lining up the raw edges of the bag and lining. Stitch around the top of the bag.
8. Turn and press.
9. Hand stitch the opening closed.
10. Top stitch around the top edge of the bag.



*Illustration 1*

## LARGE AND SMALL TOTE

**JOANN**  
experience the creativity™

Due to seasonal nature of project, supplies are available for a limited time only. Please read all instructions prior to beginning; read and follow all manufacturers' instructions for all tools and materials used. Provide adult supervision if children participate in this and all craft projects. Because Jo-Ann Stores, Inc. has no control over the use of materials and tools, nor surroundings, during construction of projects, Jo-Ann Stores, Inc. disclaims any liability for injury, damage or other untoward results. Content of this project sheet is presented in good faith, but no warranty is given, nor results guaranteed.  
©2006 Jo-Ann Stores, Inc. All rights reserved.

# \*JOANN IDEA™

## SMALL TOTE BAG

Courtesy of Fabric Traditions  
Designed by Theresa Romeo  
All Measurements are given length x width

### Supplies:

1 yd. Fabric Traditions Lemongrass Series - Floral  
1 yd. Fabric Traditions Lemongrass Series - Stripe  
1 yd. fusible interfacing  
Basic sewing supplies

### Cut:

Floral:

One - 22" x 14" - outer bag front and back

Two - 24" x 3-3/4" - handles

Stripe:

Four - 10" x 4" - bag outer sides and lining sides

One - 22" x 14" - bag lining

Interfacing:

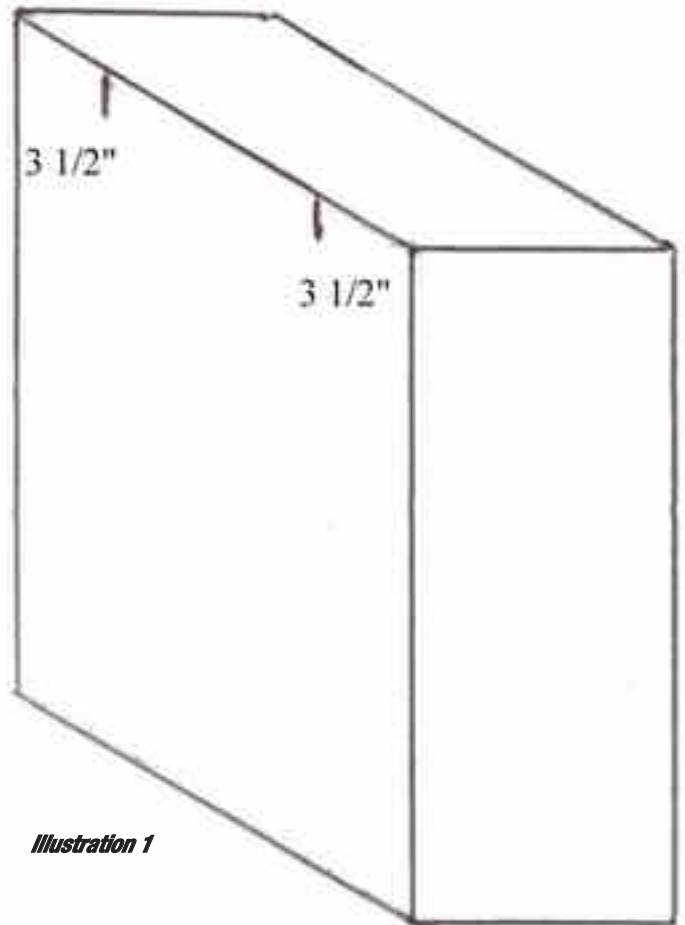
Two - 24" x 3-3/4" - handles

One - 22" x 14" - front and back

Two - 10" x 4" - sides

### Directions:

1. Iron the interfacing to the wrong sides of the outer bag pieces and handles.
2. With right sides together, pin side pieces to the side edges of the front, back and bottom of the bag, cut notch at corners as needed. Stitch in place. Illustration 1.
3. Fold the strap piece in half lengthwise right sides together and stitch on the long side, leaving the short sides open. Repeat with the other strap. Turn and press. Top stitch both long sides of the straps.
4. Measure 3-1/2" in from the top side edges on the front and back of the bag for the strap placement. Illustration 1.
5. Pin the strap to the right side of the bag, lining the raw edges of the bag and strap together. Stitch in place. Repeat on the back with the second strap.
6. Repeat step 2 with the lining pieces except leave a 5" opening on one side for turning.
7. Place the lining inside the bag with right sides together, lining up the raw edges of the bag and lining. Stitch around the top of the bag.
8. Turn and press.
9. Hand stitch the opening closed.
10. Top stitch around the top edge of the bag.



*Illustration 1*

## LARGE AND SMALL TOTE

**JOANN**  
experience the creativity™

Due to seasonal nature of project, supplies are available for a limited time only. Please read all instructions prior to beginning; read and follow all manufacturers' instructions for all tools and materials used. Provide adult supervision if children participate in this and all craft projects. Because Jo-Ann Stores, Inc. has no control over the use of materials and tools, nor surroundings, during construction of projects, Jo-Ann Stores, Inc. disclaims any liability for injury, damage or other untoward results. Content of this project sheet is presented in good faith, but no warranty is given, nor results guaranteed. ©2006 Jo-Ann Stores, Inc. All rights reserved.

# \*JO-ANN IDEA™

## REVERSIBLE TOTE BAG

Courtesy of Fabric Traditions

Designed by Theresa Romeo

All measurements are given length x width.

### Supplies

1-1/4 yds Fabric Traditions Lemongrass Series – Floral

1-1/4 yds Fabric Traditions Lemongrass Series – Geometric

1-1/4 yds fusible interfacing

Basic sewing supplies

### Directions:

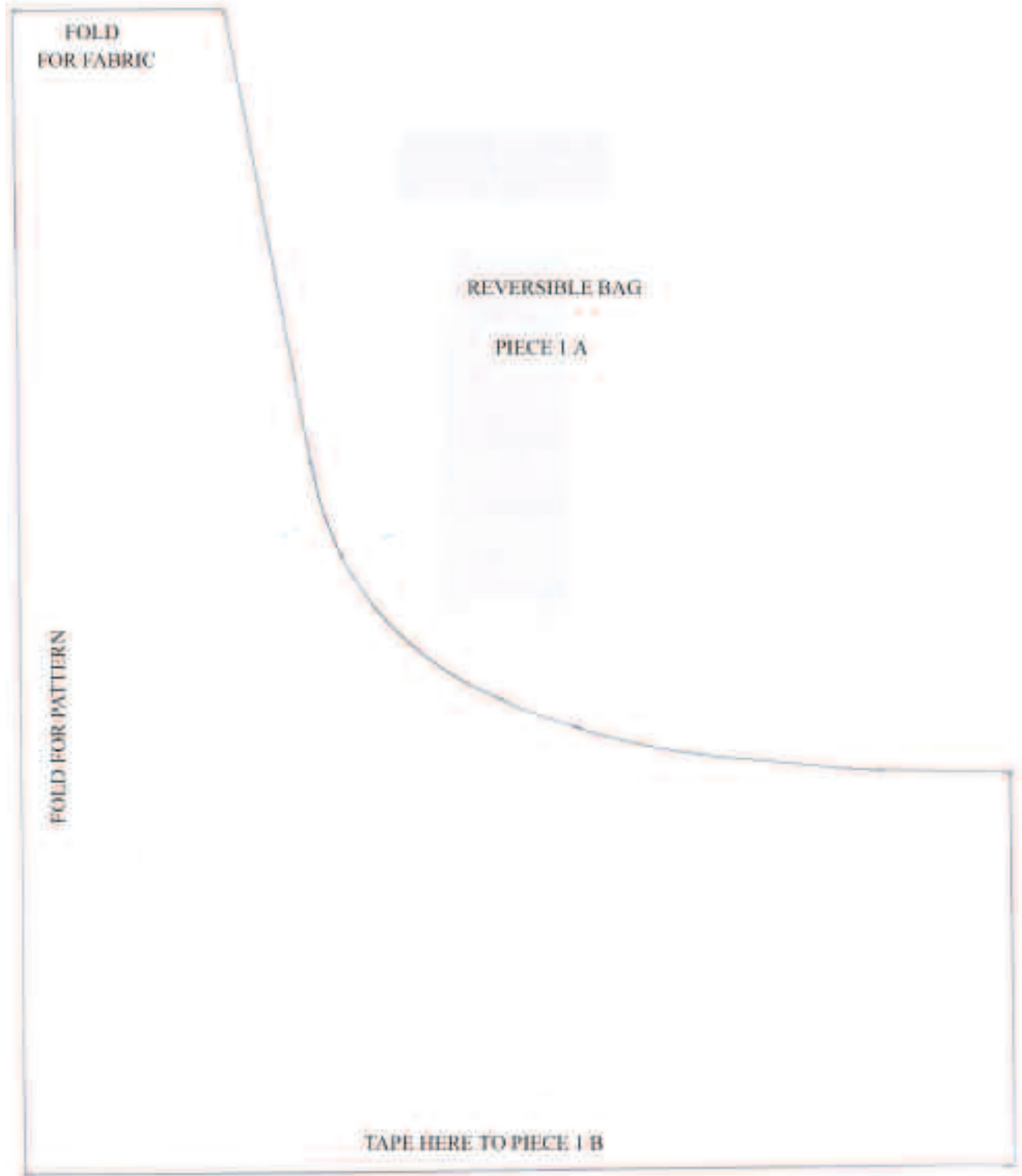
1. Tape pattern piece 1A to piece 1B on the lines indicated on the pattern.  
To make a full size pattern, fold a large piece of paper or newspaper in half, place the fold line of the pattern on the fold line of the paper and trace. Transfer any pattern markings on to the paper and cut the pattern out. Open the paper to get a full size pattern.
2. From the pattern, cut one of the floral, one of the geometric and one of the interfacing placing each on the fold as indicated on the top of the pattern.
3. Transfer the dart marking on to the fabrics.
4. Iron the interfacing on to the wrong side of the floral fabric.
5. Stitch the darts on the bag and then the lining piece.
6. Press the top edge of the bag 1/2" in towards the wrong side of the fabric. Press the lining in the same way.
7. Place the lining inside the bag with the wrong sides together. Pin the edges together and top stitch the bag to the lining.
8. Press the bag.



**JO-ANN**  
experience the creativity™

Due to seasonal nature of project, supplies are available for a limited time only. Please read all instructions prior to beginning; read and follow all manufacturers' instructions for all tools and materials used. Provide adult supervision if children participate in this and all craft projects. Because Jo-Ann Stores, Inc. has no control over the use of materials and tools, nor surroundings, during construction of projects, Jo-Ann Stores, Inc. disclaims any liability for injury, damage or other untoward results. Content of this project sheet is presented in good faith, but no warranty is given, nor results guaranteed.  
©2006 Jo-Ann Stores, Inc. All rights reserved.

# \*JOANN IDEA™



**JOANN**  
experience the creativity™

Due to seasonal nature of project, supplies are available for a limited time only. Please read all instructions prior to beginning; read and follow all manufacturers' instructions for all tools and materials used. Provide adult supervision if children participate in this and all craft projects. Because Jo-Ann Stores, Inc. has no control over the use of materials and tools, nor surroundings, during construction of projects, Jo-Ann Stores, Inc. disclaims any liability for injury, damage or other untoward results. Content of this project sheet is presented in good faith, but no warranty is given, nor results guaranteed.  
©2006 Jo-Ann Stores, Inc. All rights reserved.

## REVERSIBLE BAG PIECE 1 B



# \*JO-ANN IDEA™

## EYEGLOSS CASE

Courtesy of Fabric Traditions  
Designed by Theresa Romeo  
All measurements are given length x width.

### Supplies:

1/4 yd. Fabric Traditions Lemongrass Series – Paisley  
1/4 yd. Fabric Traditions Lemongrass Series – Dots  
Basic sewing supplies

### Directions:

1. Cut 4 pieces from the paisley fabric 7" x 4-1/2" for the case and lining.
2. Cut 2 pieces from the dot fabric 3" x 4-1/2" for the bands.
3. Press the lower edges of the bands 1/2" toward the wrong side of the fabric.
4. Line up the raw edges of the band with the top raw edge of the glass case and pin in place. Top stitch the band to the glass case on the pressed edge and baste the raw edges together. Repeat with the other band and back.
5. With right sides together stitch the front of the case to the back leaving the top edge open.
6. With right sides together stitch the side seams of the lining pieces. Place the lining into the glass case with right sides together. Stitch around the top edge.
7. Turn through the bottom of the lining. Hand stitch the bottom closed and put the lining into the eyeglass case.

## COSMETIC BAG

Courtesy of Fabric Traditions  
Designed by Theresa Romeo  
All measurements are given length x width.

### Supplies:

1/4 yd. Fabric Traditions Lemongrass Series - Paisley  
1/4 yd. Fabric Traditions Lemongrass Series – Dots  
1/4 yd. fusible interfacing  
1 - 10" zipper  
Basic sewing supplies

### Directions:

1. Cut 4 pieces from the paisley fabric 8" x 10" for the bag and lining.
2. Cut 2 pieces from the dot fabric 4-1/2" x 10" for the front and back bands.
3. Iron the interfacing to the wrong sides of the bag pieces.
4. Press the top edges of the bands under 1/2". Pin to the bottom of the bag, lining up the sides and bottom raw edges. Top stitch the top edge of the band close to the pressed edge. Baste the raw edges together.
5. Mark 1-1/2" up and 1-1/2" in from the bottom corners of the front and back of the bag pieces. Draw lines to square off and cut the squares off. Repeat with the lining pieces. **See Illustration 1.**
6. Press under 1/2" on the top edges of the bag front and back pieces. Baste the zipper underneath and top stitch the zipper in place. **See Illustration 2.**
7. With right sides together stitch the bag sides together.
8. Open the zipper and stitch the bottom of the bag together.
9. Fold the bottom corners together so the side seam and the bottom seams line up and stitch. Repeat with the other corner. **See Illustration 3.**
10. Repeat steps 7 - 9 with the lining omitting the reference to the zipper.
11. Press the top edge of the lining 1/2" towards the wrong side of the fabric.
12. Place the lining inside the bag with wrong sides together and hand stitch the lining to the bag.



**JO-ANN**  
experience the creativity™

Due to seasonal nature of project, supplies are available for a limited time only. Please read all instructions prior to beginning; read and follow all manufacturers' instructions for all tools and materials used. Provide adult supervision if children participate in this and all craft projects. Because Jo-Ann Stores, Inc. has no control over the use of materials and tools, nor surroundings, during construction of projects, Jo-Ann Stores, Inc. disclaims any liability for injury, damage or other untoward results. Content of this project sheet is presented in good faith, but no warranty is given, nor results guaranteed. ©2006 Jo-Ann Stores, Inc. All rights reserved.