

**Patons®**  
*Classic Wool*

**Patons®**  
**DECOR**



## DIAMOND TEXTURE VEST

### SIZES

#### Bust measurement

<b>Small</b>	30-32 ins	[76-81 cm]
<b>Medium</b>	34-36 ins	[86.5-91.5 cm]
<b>Large</b>	38-40 ins	[97-102 cm]
<b>Extra-Large</b>	42-44 ins	[107-112 cm]

#### Finished bust

<b>Small</b>	40 ins	[102 cm]
<b>Medium</b>	42 ins	[112 cm]
<b>Large</b>	43¾ ins	[119.5 cm]
<b>Extra-Large</b>	45½ ins	[127 cm]

### Materials

**Patons Classic Wool** (100 g/3.5 oz)  
or **Patons Décor** (100 g/3.5 oz)

<b>Size</b>	<b>S</b>	<b>M</b>	<b>L</b>	<b>XL</b>	
	5	5	6	6	balls

Sizes 4 mm (U.S. 6) and 5 mm (U.S. 8) circular knitting needles 36 ins [90 cm] long **or size needed to obtain tension**. 2 st holders. Cable needle. 5 buttons.

### TENSION

18 sts and 24 rows = 4 ins [10 cm] in stocking st with larger needles.

### ABBREVIATIONS

**Cr2B** = slip next st onto cable needle and leave at back (RS) of work. P1, then P1 from cable needle.

**T2BP** = slip next st onto cable needle and leave at back of work. K1, then P1 from cable needle.

**T2F** = slip next st onto cable needle and leave at front of work. K1, then K1 from cable needle.

**T2B** = slip next st onto cable needle and leave at back of work. K1, then K1 from cable needle.

**T2FP** = slip next st onto cable needle and leave at front of work. P1, then K1 from cable needle.

### INSTRUCTIONS

*The instructions are written for smallest size. If changes are necessary for larger sizes, the instructions will be written thus: ( ).*

### POCKET LININGS (Make 2)

With larger needle cast on 27 sts. **Do not join.** Working back and forth across needle in rows, work 4½ ins [11.5 cm] in stocking st, ending with RS facing for next row and inc 1 st in center of last row. 28 sts. Leave these sts on a spare needle.

**Note:** Garment is worked in one piece to armholes.

### BODY

With smaller needle cast on 205 (215-225-235) sts. **Do not join.** Working back and forth across needle in rows, proceed as follows:

**1st row:** (RS). K9. \*P1. K4. Rep from \* to last 6 sts. K6.

**2nd row:** K6. P3. \*K1. P4. Rep from \* to last 6 sts. K6.

These 2 rows form rib pat and garter st bands.

Rep these 2 rows once more.

**5th row:** (RS). (Buttonhole). K2. Cast off 2 sts. Rib to end of row.

**6th row:** Rib, casting on 2 sts over cast off sts.

Work a further 12 rows rib pat inc 9 sts evenly across last row (between garter st bands). 214 (224-234-244) sts.

Change to larger needle and proceed in pat as follows noting that buttonholes will be made at beg of row (as before) on every 23rd (23rd-25th-25th) row from previous buttonhole (5 buttonholes in total).

**1st row:** (RS). K6. P5. \*K2. P8. Rep from \* to last 13 sts. K2. P5. K6.

**2nd row:** K11. \*Cr2B. K8. Rep from \* to last 13 sts. Cr2B. K11.

**3rd row:** K6. P4. \*T2BP. T2F. P6. Rep from \* to last 14 sts. T2BP. T2F. P4. K6.



**ABBREVIATIONS:** [www.patonsyarns.com/glossary](http://www.patonsyarns.com/glossary)

FOR ACCESSIBILITY SUPPORT PLEASE CONTACT CUSTOMER CARE AT 1-888-368-8401 OR [ACCESS@YARNSPIRATIONS.COM](mailto:ACCESS@YARNSPIRATIONS.COM)

**4th row:** K10. \*P1. K1. P2. K6. Rep from \* to last 14 sts. P1. K1. P2. K10.

**5th row:** K6. P3. \*T2B. P1. K1. T2FP. P4. Rep from \* to last 15 sts. T2B. P1. K1. T2FP. P3. K6.

**6th row:** K9. \*P2. (K1. P1) twice. K4. Rep from \* to last 15 sts. P2. (K1. P1) twice. K9.

**7th row:** K6. P2. \*T2BP. (K1. P1) twice. T2F. P2. Rep from \* to last 6 sts. K6.

**8th row:** K8. \*(P1. K1) 3 times. P2. K2. Rep from \* to last 6 sts. K6.

**9th row:** K6. P1. \*T2B. (P1. K1) 3 times. T2FP. Rep from \* to last 7 sts. P1. K6.

**10th row:** K7. P2. (K1. P1) 3 times. K1. \*C2B. (P1. K1) 4 times. Rep from \* to last 8 sts. P1. K7.

**11th row:** K6. P1. K2. (P1. K1) 3 times. \*T2BP. T2FP. (P1. K1) 3 times. Rep from \* to last 9 sts. P1. K1. P1. K6.

**12th row:** K7. P2. (K1. P1) 3 times. \*P1. K2. P1. (K1. P1) 3 times. Rep from \* to last 9 sts. K1. P1. K7.

**13th row:** K6. P1. K2. (P1. K1) 3 times. \*K1. P2. K1. (P1. K1) 3 times. Rep from \* to last 9 sts. P1. K1. P1. K6.

**14th row:** As 12th row.

**15th row:** K6. P1. K2. (P1. K1) 3 times. \*T2FP. T2B. (P1. K1) 3 times. Rep from \* to last 9 sts. P1. K1. P1. K6.

**16th row:** As 10th row.

**17th row:** K6. P1. \*T2FP. (P1. K1) 3 times. T2BP. Rep from \* to last 7 sts. P1. K6.

**18th row:** K8. \*(P1. K1) 3 times. P2. K2. Rep from \* to last 6 sts. K6.

**19th row:** K6. P2. \*T2FP. (K1. P1) twice. T2BP. P2. Rep from \* to last 6 sts. K6.

**20th row:** K9. \*P2. (K1. P1) twice. K4. Rep from \* to last 5 sts. K5.

**21st row:** K6. P3. \*T2FP. P1. K1. T2BP. P4. Rep from \* to last 15 sts. T2FP. P1. K1. T2BP. P3. K6.

**22nd row:** As 4th row.

**23rd row:** K6. P4. \*T2FP. T2BP. P6. Rep from \* to last 14 sts. T2FP. T2BP. P4. K6.

**24th row:** As 2nd row.

**25th row:** K6. P4. \*T2BP. T2FP. P6. Rep from \* to last 14 sts. T2BP. T2FP. P4. K6.

**26th row:** K10. \*P1. K2. P1. K6. Rep from \* to last 14 sts. P1. K2. P1. K10.

**27th row:** K6. P4. \*K1. P2. K1. P6. Rep from \* to last 14 sts. K1. P2. K1. P4. K6.

**28th row:** As 26th row.

**29th row:** K6. P4. \*T2FP. T2BP. P6. Rep from \* to last 14 sts. T2FP. T2BP. P4. K6.

**30th row:** As 2nd row. Rep 3rd to 30th rows for pat.

Keeping cont of pat, proceed as follows:  
**Place Pockets:** **Next row:** Pat across 19 (20-22-23) sts. Slip next 28 sts onto a st holder. Pat across 28 sts of first pocket lining. Pat across 120 (128-134-142) sts. Slip next 28 sts onto a st holder. Pat across 28 sts of second pocket lining. Pat to end of row.  
 Work a further 55 (55-61-61) rows pat thus ending with RS facing for next row.

**Divide armholes:** **Next row:** Pat across 46 (47-50-52) sts. Cast off next 18 (20-20-22) sts. Pat across 86 (90-94-96) sts (including st on needle after cast off). Cast off next 18 (20-20-22) sts. Pat to end of row.  
 Cont on last 46 (47-50-52) sts for Left Front. Leave rem sts on a spare needle.

**Left Front:** Work 1 row even in pat. Keeping cont of pat, dec 1 st at armhole edge on next and following alt rows until there are 42 (45-45-47) sts.  
 Work 1 row even in pat.  
**Next row:** (RS). Work 2tog. Pat to last 8 sts. P2tog. K6.  
 Work 1 row even in pat.  
 Rep last 2 rows 4 (5-4-4) times more. 32 (33-35-37) sts.  
 Cont dec 1 st at neck edge only on following alt rows, as before until there are 26 (28-27-27) sts, then on following 4th rows until there are 22 (23-24-25) sts.  
 Cont even in pat until armhole measures 8¾ (9-9¼-9½) ins [22 (23-23.5-24) cm] ending with RS facing for next row.

**Shape shoulder:** Cast off 8 (8-9-9) sts beg next row. Work 1 row even in pat. Cast off 8 (9-9-10) sts. Leave rem 6 sts on a safety pin.  
 With WS of work facing, join yarn to sts on spare needle. Pat across 86 (90-94-96) sts for Back. Leave rem sts on spare needle.

**Back:** Keeping cont of pat, dec 1 st each end of needle on next and following alt rows until there are 68 (70-74-76) sts.  
 Cont even in pat until armhole measures 8¾ (9-9¼-9½) ins [22 (23-23.5-24) cm] ending with RS facing for next row.

**Shape shoulders:** Cast off 8 (8-9-9) sts beg next 2 rows and 8 (9-9-10) sts beg following 2 rows. Cast off rem 36 (36-38-38) sts.  
 With WS of work facing, join yarn to sts on spare needle. Pat across 46 (47-50-52) sts for Right Front.



**ABBREVIATIONS:** [www.patonsyarns.com/glossary](http://www.patonsyarns.com/glossary)

FOR ACCESSIBILITY SUPPORT PLEASE CONTACT CUSTOMER CARE AT 1-888-368-8401 OR [ACCESS@YARNSPIRATIONS.COM](mailto:ACCESS@YARNSPIRATIONS.COM)

**Right Front:** Keeping cont of pat, dec 1 st at armhole edge on next and following alt rows until there are 42 (45-45-47) sts.

Work 1 row even in pat.

**Next row:** (RS). K6. P2tog (neck edge). Pat to last 2 sts. Work 2tog.

Work 1 row even in pat.

Rep last 2 rows 4 (5-4-4) times more. 32 (33-35-37) sts.

Cont dec 1 st at neck edge on following alt rows, as before until there are 26 (28-27-27) sts, then on following 4th rows until there are 22 (23-24-25) sts.

Cont even in pat until armhole measures  $8\frac{3}{4}$  (9-9 $\frac{1}{4}$ -9 $\frac{1}{2}$ ) ins [22 (23-23.5-24) cm] ending with WS facing for next row.

**Shape shoulder:** Cast off 8 (8-9-9) sts beg next row. Work 1 row even in pat. Cast off rem 14 (15-15-16) sts.

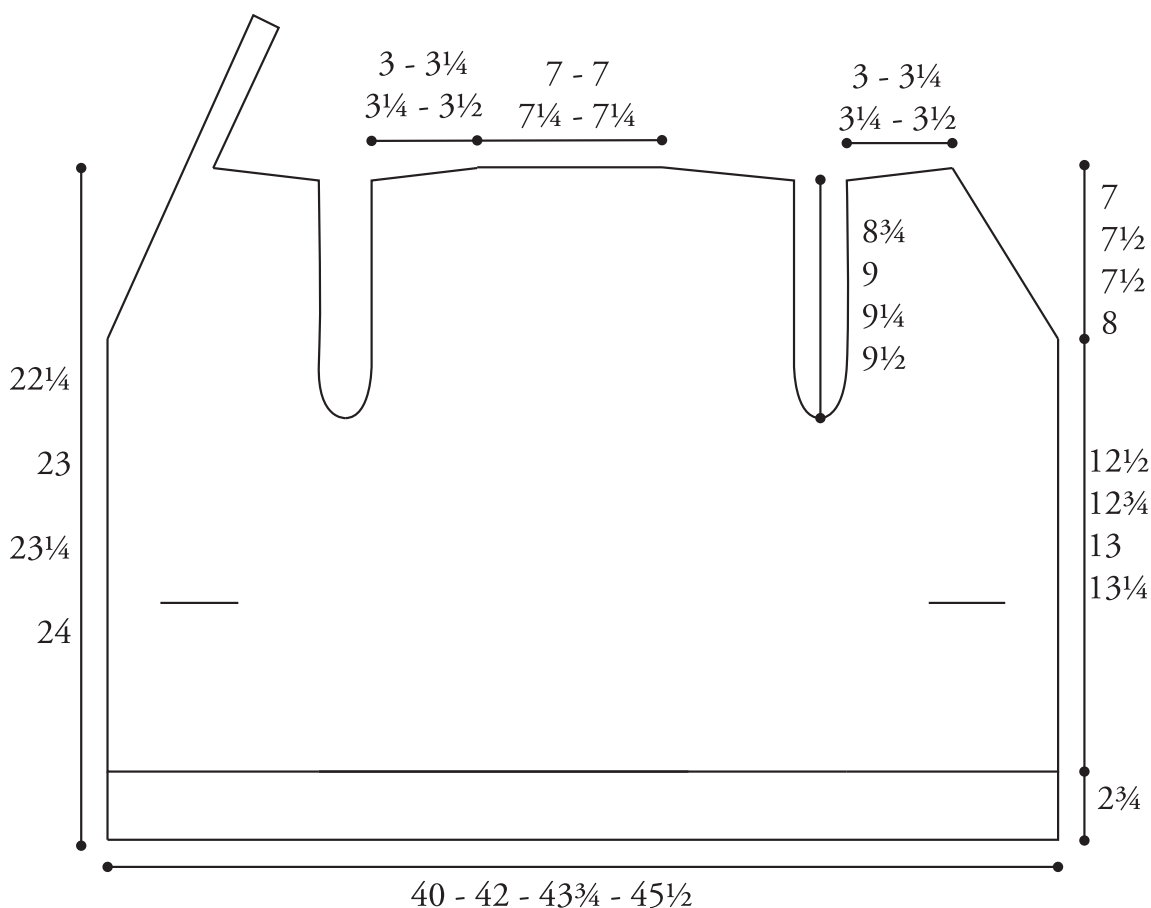
## FINISHING

**Back neckband:** Sew shoulder seams. With RS of work facing and larger needle, K6 from sts left on safety pin of Left Front. Cont even in garter st (knit every row) until work measures length to fit across back neck edge (when slightly stretched). Cast off. Sew to back neck edge. Sew end of band tog at right shoulder seam.

**Pocket Bands:** With RS of work facing and smaller needle, K28 from pocket st holder, dec 3 sts evenly across. 25 sts. Work 6 rows garter st. Cast off knitwise (WS).

**Armbands:** With RS of work facing and smaller needle pick up and knit 87 (91-93-97) sts evenly along armhole edge. Work 6 rows garter st. Cast off knitwise (WS).

Sew pocket bands in position to RS and pocket linings in position to WS. Sew side and armband seams. Sew buttons to correspond to buttonholes.



ABBREVIATIONS: [www.patonsyarns.com/glossary](http://www.patonsyarns.com/glossary)

FOR ACCESSIBILITY SUPPORT PLEASE CONTACT CUSTOMER CARE AT 1-888-368-8401 OR [ACCESS@YARNSPIRATIONS.COM](mailto:ACCESS@YARNSPIRATIONS.COM)

PATONS DIAMOND TEXTURE