

2 skill
level

free



shower curtain

just ask, Jo-Ann **how to**

more projects, tips & techniques at Joann.com

SELECTING THE FABRIC:

Add a fresh new look to your bathroom with a do-it-yourself decorative shower curtain!

Our Home Decor Fabric Department offers a huge selection of fabrics ideal for this purpose. Any of the decorator cotton prints, solids or stripes can be used. We suggest you use a purchased shower liner to protect all fabrics.

Consider giving your bathroom a complete designer look with coordinating window curtains and trim on the towels. For the curtains, select a coordinating fabric in a different print but containing the same colors as the shower curtain. Use the shower curtain fabric to make the curtain tie backs. Trim the towels with a narrow strip of one of the fabrics folded under at the edges and top stitched to the band on the towels. In just one day, your bathroom will have a fabulous new look!

DETERMINING HOW MUCH FABRIC YOU WILL NEED:

- A standard shower curtain measures 72"x72"
- Using 45" or 54" fabric you will need:
 - Solids – 4½ yds
 - Prints – 4½ yds plus 1 repeat of the print

Additional supplies:

- Basic sewing supplies
- Sewing machine
- Matching thread
- Rotary cutter, ruler and mat
- Optional – 12 grommets and grommet setter

SHOWER CURTAIN CONSTRUCTION:

Cutting:

1. Cut the fabric into 80" lengths. For print fabrics, cut the lengths so the repeats match on both panels.
2. For a custom size, cut length to give the correct finished length allowing 8" extra for a double 1" top hem and double 3" bottom hem.

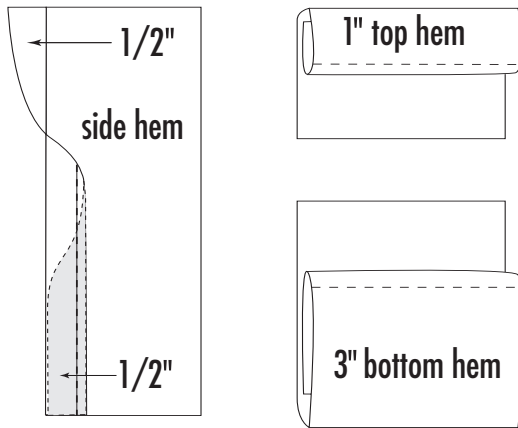
Sewing the panel together:

1. Place the right sides of the fabric together, matching fabric patterns.
2. Sew the center seam using a 1/2" seam allowance along the selvage edge.
3. Press seam open.
4. The sewn panel needs to be cut to 74" wide with the seam either in the middle or toward one side. If the seam will be in the middle, cut the same amount off each side to make the 74" panel. If the seam is to one side, cut off one edge leaving the 74" wide panel.

SHOWER CURTAIN CONSTRUCTION (CONTINUED):

Hemming the fabric:

1. Turn the side edges under 1/2" and then 1/2" again and stitch close to the edge to form the hem.
2. For the top and bottom hems, turn the top edge under 1" then 1" again and stitch. Turn the bottom edge under 3" then 3" again and stitch.
3. Press the shower curtain.
4. Drapery weights can be used to keep the shower curtain hem in place outside the tub.



Holes at the top for hanging:

1. Buttonholes or grommets can be placed along the top for hanging the shower curtain. For either finish, lay the purchased shower liner on the new shower curtain and line up the edges. Mark the spot where the holes in the shower curtain will need to be to match the holes on the purchased liner.
2. Buttonholes need to be sewn so they are vertical, or follow package directions to set the grommets.

Photo of shower curtain shown on cover is a pieced version of the above basic directions.

Project courtesy of
Jo-Ann Fabric and Craft Stores

Crafts.
Discover life's
little pleasures.

Here are directions for an alternate shower curtain:

SUPPLIES & TOOLS:

- 2½ yds fabric for center panel
- 2½ yds fabric for inner border
- 2½ yds fabric for outer border
- Purchased shower liner
- Optional — 12 grommets and grommet setter
- Basic sewing supplies
- Sewing machine
- Iron

DIRECTIONS:

Cutting:

- One center panel 80"x43"
- Two inner border pieces 80"x6"
- Two outer border pieces 80"x11½"

Sewing:

1. Using 1/2" seam allowance, sew inner borders to center panel then sew outer border to inner border.
2. Press seams open. If desired, use a French seam to enclose raw edges or finish raw edges with zigzag stitch or serger.
3. Follow the hemming and hanging directions above to complete.

HINT:

To make a French seam enclosing raw edges, first sew a 1/4" seam with wrong sides together, press seam open. Fold back along seam and press again. With right sides together, sew a 1/4" seam, press seam to one side.

For a coordinated look, trim towels and bathmat with strips of coordinating fabric.

Consider lining the laundry hamper with coordinating fabric to carry the design throughout the room.

Skill Level 2: Sewing experience needed

Approximate Crafting Time: 3 hours

Due to the seasonal nature of many projects, supplies may be available for a limited time only. Please read all instructions prior to beginning; read and follow all manufacturers' instructions for all tools and materials used. Provide adult supervision if children participate in this or any craft project. Because Jo-Ann Stores, Inc. has no control over surroundings or the use of materials and tools during construction of projects, Jo-Ann Stores, Inc. disclaims any liability for injury, damage or other untoward results. Content of this How To sheet is presented in good faith, but no warranty is given, nor results guaranteed. ©2008 Jo-Ann Stores, Inc. All rights reserved.

JO-ANN
fabric and craft stores™

P109-443