



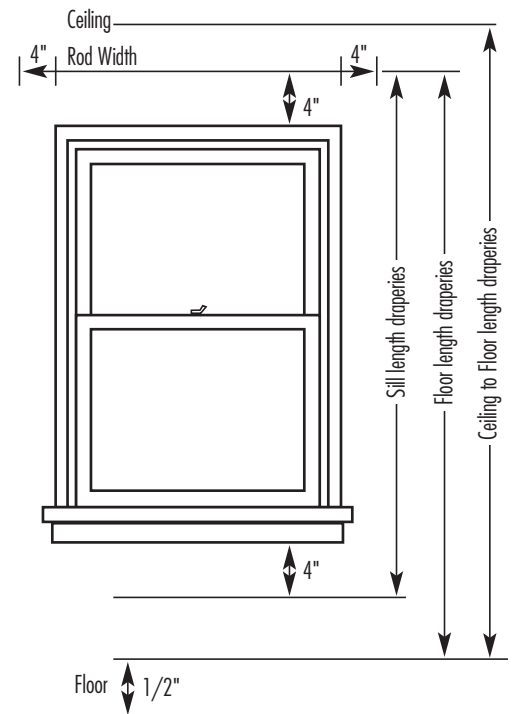
calculating yardage for draperies

just ask *Jo-Ann* how to

more projects available at Joann.com

TIPS ON HOW TO MEASURE YOUR WINDOW

- Use a metal tape measure. Never assume that all windows are the same. Measure all windows individually.
- When using a plain traverse rod, measure from the top of the rod to the point you want the draperies to end to get your finished length.
- When using decorator rods, measure from the eye of the ring to the point you want the draperies to end to get your finished length.
- Floor-length draperies should be measured to within 1/2" of the carpeting. Sheers installed under draperies should be 1" shorter than the over drapery.
- The finished length on short draperies should be 4" longer than the bottom of the window.
- On traverse rods, allow 7" for overlaps.
- On double traverse rods, allow 18" for returns & overlaps.
- Typical hem allowance is 8" (4" doubled)
- Typical header allowance is 8" (4" doubled). However, the amount of fabric needed in the header is related to the type of pleating tape and the application method you will be using.
- For rod pocket with no heading, add an amount equal to the diameter of the rod plus 1/2" to turn under and 1/4" to 1" for ease. The amount of ease needed is determined by the thickness of the fabric and the size of the rod. Lightweight fabrics require less ease; rod pockets for larger rods require more ease.



HOW TO CALCULATE YARDAGE FOR PRINT DRAPERIES

STEP ONE:

Finished length _____

Plus hems + _____

Plus headings + _____

Equals cut length = _____

STEP TWO:

Determine the number of times
the repeat appears on one panel:

Cut length (Step One) _____

Divide by number of inches
in one repeat ÷ _____

Equals number of times repeat
appears in the cut length = _____

STEP THREE:

Determine overall adjusted cut length:
Length of one repeat _____

Multiply by number of times repeat
appears in cut length (Step Two) x _____

Equals overall adjusted cut length = _____

STEP FOUR:

Determine finished width:
Face width of rod _____

Plus overlap + returns + _____

Equals finished width = _____

STEP FIVE:

Determine what drapery fullness
you want: 2, 2½ or 3 to 1

Desired fullness = _____

STEP SIX:

Determine the number of panels needed.

Finished width (Step Four) _____

Multiplied by fullness (Step Five) x _____

= _____

Divided by fabric width. ÷ _____

Number of panels needed. = _____

STEP SEVEN:

Overall adjusted cut length (Step Three) _____

Multiply by number of panels needed
(Step 6) x _____

Equals total overall inches = _____

Divided by 36" ÷ _____

Equals total number of yards needed
for one window = _____

SPECIAL NOTE:

Always round measurements up to the next highest
whole number.

HOW TO CALCULATE YARDAGE FOR SOLID DRAPERIES

STEP ONE:

Finished length _____

Plus hems + _____

Plus headings + _____

Equals cut length = _____

STEP TWO:

Determine finished width:

Face width of rod _____

Plus overlap + returns + _____

Equals finished width = _____

STEP THREE:

Determine what drapery
fullness you want:

2, 2½ or 3 to 1

Desired fullness = _____

STEP FOUR:

Determine the number of panels needed.

Finished width (Step Two) _____

Multiplied by fullness (Step Three) x _____

= _____

Divided by fabric width. ÷ _____

Number of panels needed. = _____

STEP FIVE:

Overall cut length (Step One) _____

Multiply by number of panels needed
(Step Four) x _____

Equals total overall inches = _____

Divided by 36" ÷ _____

Equals total number of yards needed
for one window = _____

SPECIAL NOTE:

Always round measurements up to the next highest
whole number.

Skill Level 2: Some sewing experience helpful

Due to seasonal nature of project, supplies are available for a limited time only. Please read all instructions prior to beginning; read and follow all manufacturers' instructions for all tools and materials used. Provide adult supervision if children participate in this and all craft projects. Because Jo-Ann Stores, Inc. has no control over the use of materials and tools, nor surroundings, during construction of projects, Jo-Ann Stores, Inc. disclaims any liability for injury, damage or other untoward results. Content of this project sheet is presented in good faith, but no warranty is given, nor results guaranteed. ©2008 Jo-Ann Stores, Inc. All rights reserved.

JO-ANN
fabric and craft stores™